


| | |
|----------------------|--|
| Date : 23/05/2014 | Description : OVEN EXPLODED VIEW |
| Model : | Name: B043D |

Scale : 1:10
 A3
 Reserved property :
 Reserved property of VENIX S.r.l. as by law enacted
 it is strictly forbidden to copy or transmit to third party the subject of this drawing.

Drawing by:
C. R.

VENIX

LISTA DISTINTA BASE RICAMBI al: 08/03/19

Cliente: 14-6-1

Ditta: VENIX

Dall'articolo: 020ACC00001

All'articolo : ZZSCONT0

| ARTICLE | | U.M. | DATA EV | DPR | CLO |
|-----------|--|---------------|--|-----|---------|
| AMN0028 | HANDLE FOR OVEN B043 | PZ | 30/03/15 | 001 | CPR |
| N.DRAWING | CODE SPARE PART | CLIENT'S CODE | DESCRIPTION | | QTY |
| 029 | 040TST00005 | | PLASTIC HANDLE COVER BLACK FOR TUBE 20X1 | | 2,00000 |
| 030 | 30TUBC10SAA027 | | S.STEEL HANDLE | | 1,00000 |
| B043D.2* | CONVECTION OVEN B043D.2 DIGITAL PANEL 4 TRAYS 460X340 | PZ | 07/03/19 | 001 | CPR |
| N.DRAWING | CODE SPARE PART | CLIENT'S CODE | DESCRIPTION | | QTY |
| 001 | 9000000007420 | | STICKER PANEL | | 1,00000 |
| 015 | 70RON014 | | PLASTIC LOCK SPACER FOR PC BOARD | | 7,00000 |
| 016 | 020SCH0028 | | PC BOARD CONVECTION OVEN (EX 020SCH0001) | | 1,00000 |
| 018 | 020CNT0007 | | CONNECTOR 2 POLES | | 1,00000 |
| 018 | 020CNT0009 | | CONNETTORE 4 POLI | | 1,00000 |
| 018 | 020CNT0013 | | CONNECTOR SJT XHP4 | | 1,00000 |
| 018 | 020CNT0014 | | CONNETTORE 5 POLI | | 1,00000 |
| 021 | 040TAP00007 | | PLASTIC COVER | | 1,00000 |
| 022 | 040TAP00008 | | PLASTIC COVER | | 1,00000 |
| 034 | 60STFTR001 | | PLATE FOR DOOR HINGE N. 1 | | 2,00000 |
| 039 | 9000000043824 | | PORTA FORNO B043 NERO MANIGLIA CUSTOM G | | 1,00000 |
| 055 | 30TUBC12SAA016 | | STEAM S.STEEL FAN TUBE | | 1,00000 |
| 056 | 10DEFA10LAA064 | | AIR DEFLECTOR | | 1,00000 |
| 057 | 70VIT041 | | SCREW FOR DEFLECTOR | | 4,00000 |
| 058 | 70DAD004 | | NUT FOR FAN | | 1,00000 |
| 059 | 60VENAI004 | | FAN 200X043 | | 1,00000 |
| 060 | 10PIAA10LAA009 | | PLATE FOR MOTOR | | 1,00000 |
| 061 | 040B0C00006 | | ROUND PLATE MOTOR | | 1,00000 |
| 062 | 020RES31230226301 | | HEATING ELEMENT 3,1 KW | | 1,00000 |
| 065 | 040GUA00014 | | GASKET CONVECTION OVENS BURANO/TORCELLO | | 1,64000 |
| 066 | 040ANG00002 | | PLASTIC CORNER | | 4,00000 |
| 068 | 020LAM0002 | | HALOGENE LIGHT FOR TORCELLO LINE | | 1,00000 |
| 074 | 020SON0001 | | TEMPERATURE PROBE | | 1,00000 |
| 078 | 020PUL0002 | | DOOR MICROSWITCH | | 1,00000 |
| 079 | 020MOR0003 | | TERMINAL | | 1,00000 |
| 080 | 020MOT0010 | | MOTOR 220V | | 1,00000 |
| 082 | 020TEL0003 | | CONTACTOR ABB 230V 25A | | 1,00000 |
| 083 | 020TER0003 | | SECURITY THERMOSTAT | | 1,00000 |

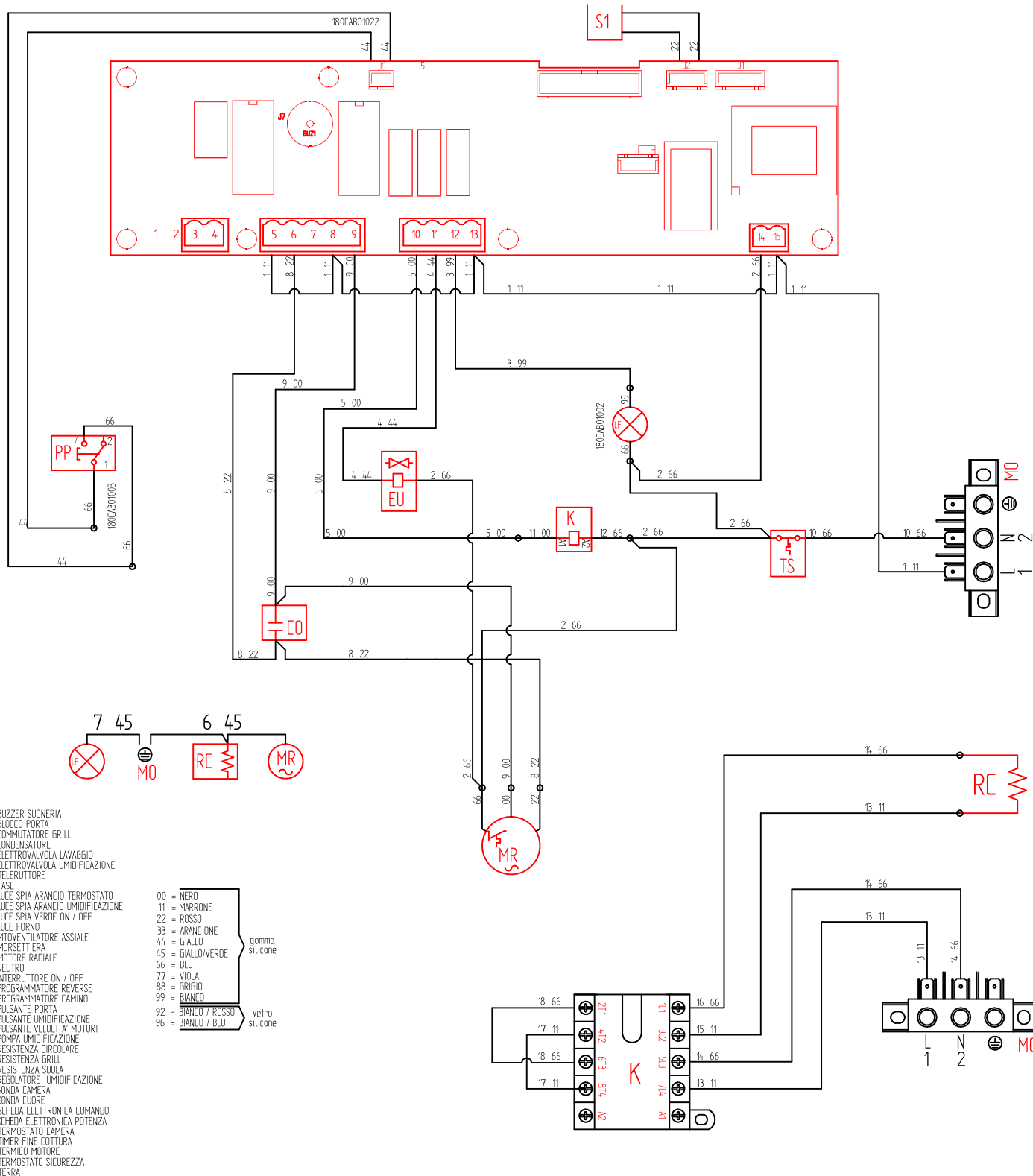
| ARTICLE | | U.M. | DATA EV | DPR | CLO | | |
|---------|----------------|------|---------|-----|-----|--|---------|
| 084 | 10SUPZ10NAA049 | | | | | SECURITY THERMOSTAT SUPPORT FOR OVEN B04 | 1,00000 |
| 086 | 70VIT015_B | | | | | TRAY RACK SCREW | 2,00000 |
| 090 | 50GRITR062 | | | | | RIGHT/LEFT LATERAL TRAY RACK WITH LOCK | 2,00000 |
| 091 | 50PIEPL001 | | | | | BASEMENT | 4,00000 |
| 092 | 10FONZ10NAA051 | | | | | BASEMENT | 1,00000 |
| 094 | 10PROA08SIN004 | | | | | FRONT SIDE INFERIOR PROFILE | 1,00000 |
| 098 | 020MOR0001 | | | | | TERMINAL | 1,00000 |
| 099 | 040PPC00001 | | | | | CABLE FIXING | 1,00000 |
| 102 | 040CTD00001 | | | | | NUT | 1,00000 |
| 106 | 30TUBP80006 | | | | | TUBE | 0,42000 |
| 107 | 020ELE0001 | | | | | SINGLE ELECTRIC VALVE | 1,00000 |
| 108 | 040RAC00001 | | | | | PLASTIC CONNECTOR | 2,00000 |
| 115 | 10SCNZ08NAA001 | | | | | OVEN BACKSIDE | 1,00000 |
| 117 | 10FIAA08SAA204 | | | | | FRAME | 1,00000 |
| 124 | 040GUA00007 | | | | | GASKET FOR PROBE | 1,00000 |
| 125 | 10SUPZ10NAA002 | | | | | CONTACTOR SUPPORT | 1,00000 |
| 130 | 180CAV001 | | | | | CABLE + SCHUKO PLUG | 1,00000 |
| 168 | 10DEFA08LAA001 | | | | | DEFLECTOR | 2,00000 |
| 341 | 020CND00001 | | | | | MOTOR CONDENSER | 1,00000 |

| | | | | | |
|------------|----------------------|----|----------|-----|-----|
| KITVITB043 | KIT VITERIA B043M/DI | PZ | 17/04/18 | 001 | CPR |
|------------|----------------------|----|----------|-----|-----|

| N.DRAWING | CODE SPARE PART | CLIENT'S CODE | DESCRIPTION | QTY | | |
|-----------|-----------------|---------------|-----------------------------------|---------|--|--|
| 093 | 70DGA001 | | NUT | 4,00000 | | |
| 568 | 70VIT039 | | VITE TCC M6X25 NIKEL DIN 7985 NIK | 4,00000 | | |

| | | | | | |
|---------|----------------------------------|----|----------|-----|-----|
| PTB043* | COMPLETE OVEN DOOR FOR OVEN B043 | PZ | 07/03/19 | 001 | CPR |
|---------|----------------------------------|----|----------|-----|-----|

| N.DRAWING | CODE SPARE PART | CLIENT'S CODE | DESCRIPTION | QTY | | |
|-----------|--------------------|---------------|---|---------|--|--|
| 026 | 10PIAZ10NAA005 | | FIXING PLATE FOR HANDLE B04/B043 | 2,00000 | | |
| 027 | 040BOC00001 | | PLASTIC ROUND PLATE FOR HANDLE - CUSTOM | 2,00000 | | |
| 031 | 10PIAA08SDX003 | | PLATE | 1,00000 | | |
| 032 | 10PIAA08SSX004 | | PLATE | 1,00000 | | |
| 033 | 60CERTR001 | | DOOR HINGE FOR OVEN B043 | 2,00000 | | |
| 035 | 10PROA08SDX002 | | DOOR PROFILE | 1,00000 | | |
| 036 | 10PROA08SSX001 | | DOOR PROFILE | 1,00000 | | |
| 037 | 80VET6I04310520001 | | INTERNAL GLASS DOOR OVEN B043 | 1,00000 | | |
| 038 | 9000000043831 | | ASSIEME VETRO ESTERNO B043 NERO | 1,00000 | | |
| 044 | 040BOC00002 | | PLASTIC ROUND PLATE | 4,00000 | | |



- B = BUZZER SUONERIA
- BP = BLOCCO PORTA
- EG = COMUTATORE GRILL
- CO = CONDENSATORE
- EL = ELETTROVALVOLA LAVAGGIO
- EU = ELETTROVALVOLA UMIDIFICAZIONE
- K = TELERUTTORE
- L = FASE
- LA1 = LUCE SPIA ARANCIO TERMOSTATO
- LA2 = LUCE SPIA ARANCIO UMIDIFICAZIONE
- LV = LUCE SPIA VERDE ON / OFF
- LF = LUCE FORNO
- MA = MTOVENTILATORE ASSIALE
- MO = MORSETTIERA
- MR = MOTORE RADIALE
- N = NEUTRO
- ON = INTERRUITTORE ON / OFF
- PR = PROGRAMMATTORE REVERSE
- PC = PROGRAMMATTORE CAMINO
- PP = PULSANTE PORTA
- PU = PULSANTE UMIDIFICAZIONE
- PV = PULSANTE VELOCITA' MOTORI
- PMU = POMPA UMIDIFICAZIONE
- RC = RESISTENZA CIRCOLARE
- RG = RESISTENZA GRILL
- RS = RESISTENZA SUDIA
- RU = REGOLATORE UMIDIFICAZIONE
- S1 = SONDA CAMERA
- SZ = SONDA CUORE
- SE = SCHEDA ELETTRONICA COMANDO
- SP = SCHEDA ELETTRONICA POTENZA
- T = TERMOSTATO CAMERA
- TI = TIMER FINE COTTURA
- TM = TERMICO MOTORE
- TS = TERMOSTATO SICUREZZA
- = TERRA

- 00 = NERO
 - 11 = MARRONE
 - 22 = ROSSO
 - 33 = ARANCIONE
 - 44 = GIALLO
 - 45 = GIALLO/VERDE
 - 66 = BLU
 - 77 = VIOLA
 - 88 = GRIGIO
 - 99 = BIANCO
 - 92 = BIANCO / ROSSO
 - 96 = BIANCO / BLU
- gomma silicone
vetro silicone

| | | | | | |
|--------|-------------|--|----------------------|--|--------------------------|
| 4 | | | | Tolleranze - Tolerances : ISO 22768 - m | Data - Date : 27/11/2019 |
| 3 | | | | 001±006 mm ± 0.1 006±030 mm ± 0.2 030±120 mm ± 0.3 120±400 mm ± 0.5 400±1000 mm ± 0.8 1000±2000 mm ± 12 | Scala - Scale : XX |
| 2 | | | | | |
| 1 | | | | | |
| N° Rev | Data - Date | Descrizione modifiche - Modification description | Disegnato - Drawn by | | |

| | | | |
|--------------------------------------|------------------------------|---------------------------------|-----------------------------|
| Creato da - Drawing by : MACCHION E. | Materiale - Material : | Trattamento - Treatment : | Codice - Code : 50SCEE00070 |
|--------------------------------------|------------------------------|---------------------------------|-----------------------------|

| | | |
|--|--|---------------------------------|
| <p>VENIX s.r.l. Via della Fornace, 45 31023 Castelminio di Resana (Treviso) - Italia</p> | Descrizione - Description : Specifica di montaggio B033D - B043D (NO CB) File : SPECIFICHE PER IL MONTAGGIO | Modello - Model : .. |
| | Proprietà riservata - Reserved property : Proprietà riservata di VENIX S.r.l. a termini di legge è vietato riprodurre o comunicare a terzi il contenuto del presente disegno. | Peso - Weight : 0,0 kg (Kg) |
| | | Approvato - Approved : |

